

VariPOS™

All-in-One & Multi-touch POS Solutions

Enhancing Your Hospitality and Retail Business



Touch our classical design



- Intel® Pineview D510 1.66GHz CPU integrated
- 15" zero-bezel & projected capacitive technology touchscreen
- Flexible architectures for 7" LCD second display, MSR, iButton, fingerprint, RFID, customer display
- Aluminum base with adjustable angle & adjustable view angle of customer display
- Customized color matches your shop image
- Front panel IP 66 waterproof certificated



Key Features



True flat & IP66 (front panel) sustainable alcohol cleaning



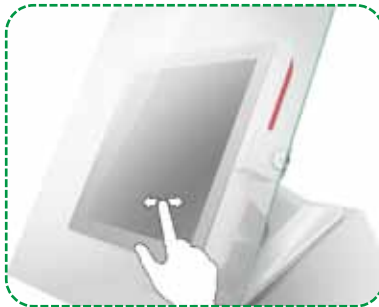
Projected capacitive technology (PCT) & multi-touch function (OS: Windows 7)



VESA mount standard 100mm x 100mm



HDD isolated from main heat source on mother board



The unique technology Touch through the window glass



Adjustable customer display & base

Ordering Information

VariPOS™ 715: 15" Multi-touch POS Terminal

■ CPU type:

Intel® Pineview D510 (Dual Core) 1.66GHz with L2 Cache 1MB

■ Touch screen type:

True Flat Projected Capacitive Touch Screen



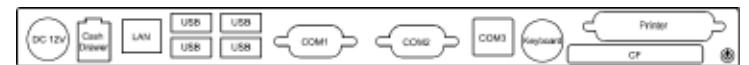
I/O Interface



Standard

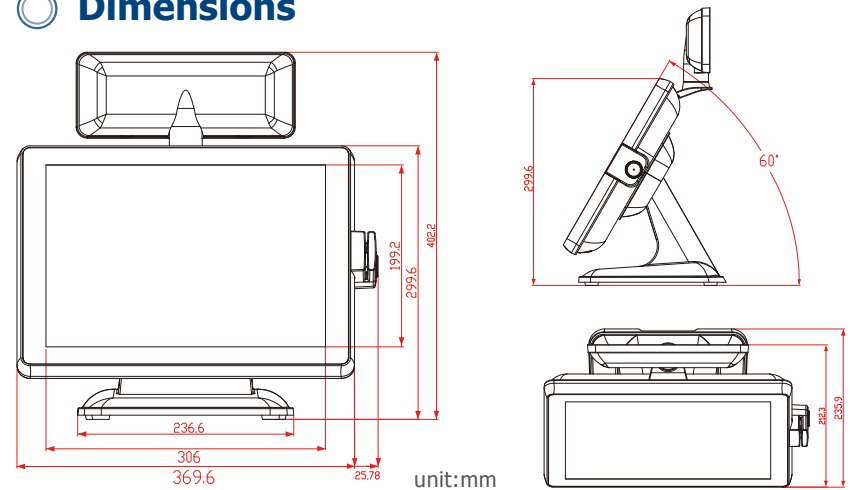


VGA Version



LPT Version

Dimensions



Optional Accessories:

- VFD: 2x20 Attached VFD
- MSR: Front, 3 Tracks RS-232 Type or PS/2 Type
- MSR & iButton: MSR-Front & iButton, RS-232 Type or PS/2 Type
- RFID 13.56MHz, USB Type
- Fingerprint Reader
- Color options:

Main Unit: Gray / White / Black

Plastic Cover: Red / Green / Gray / Black / White



Hospitality Solution

It's a world where customers have more choices than ever before—in what they eat, how they order and how they pay. Customers always want to shorten their waiting time. At the same time, it's a big challenge to merchant to serve customer faster in a more efficient way and raise the turnover. VariPOS helps you to maximize your operation efficiency and minimize the "customer idle time". VariPOS features the steady performance by Intel® Pineview processor and unique energy saving design. VariPOS provides the customized color cover to match your restaurant image. This powerful computing platform is ideal for restaurant owners who want to enhance the customer experience, speed up the employees procedure and reduce operating costs.



Retail Solution

Today's retail business is struggling. It's a large and complicated system from the manufacturers to retail shops. To do business with shoppers on a smarter planet, retailers and manufacturers need a smarter system. It needs to be instrumented, so every item of inventory can be tracked and accounted for. And it needs to be intelligent, so vast amounts of customer data can be analyzed and turned into real value in real time. VariPOS has high expansion to meet most demand of current retail industry with a wide range of POS peripherals, including a cash drawer, customer display, keyboard, printer, Omni-directional scanner etc. VariPOS offers great flexibility to ensure retailers stay ahead of changing customer trends and prepare for growth.



Specification



Main Board	CPU	Intel® Pineview D510 (Dual Core) 1.66GHz with L2 Cache 1MB	I/O Ports -Internal	Card Reader & iButton	COM5 : Internal Pin header for Card Reader & iButton	
	Chipset	Intel® Pineview + ICH8M		Audio	AC 97 2.0 compliant, 2W Speaker x 2	
	System Memory	1 x 2GB SO-DIMM DDRII 667		Bus Expansion	1 x Mini-PCI-E Slot	
Display	TFT LCD	38.1cm (15")	Compliance	IP 66 (front panel)		
	Brightness	250nits		System Management	Desktop Management Interface (DMI)	
	Resolution	1024 x 768			Preboot Execution Environment (PXE)	
Storage	Touch Screen	True Flat Projected Capacitive Technology	OS Support	Wake on LAN (WoL)		
	HDD Type	1 x SATA 6.4cm (2.5") HDD		Advanced Configuration and Power Interface (ACPI)		
	SSD Type	1 x SATA 6.4cm (2.5") SSD (optional)		Windows 7, Windows POSReady 2009, WEPOS,		
I/O Ports	Compact Flash Type	1 x Slot Type II (optional)	Power Supply	Windows XP Pro for Embedded, Fedora(Linux)		
	DC Input	1 x Mini Din 4P (DC 12V only)		External adapter, DC Model:80 Watts,Voltage:+12VDC 6.6Amax		
	Cash Drawer	1 x RJ-11 (Power Pin 12V)		Material	Main Unit: Die-casting aluminum ; I/O Cover:Plastic	
-External	Network (LAN)	1 x Gigabit Ethernet by RJ-45	Color	Main Unit: Gray / White / Black *Customized color for plastic parts		
	USB Port	4 x USB 2.0		Certifications	CE, FCC, Class-A, RoHS, WEEE	
	Serial Port	4 x RS-232			Dimensions(W x H x D)	370 x 287 x 55mm
		COM1/2 : DB-9, RS-232, Pin9 w/RI/5V/12V Selectable by BIOS	Weight	4.5 Kg (Aluminium Base: 1 Kg)		
		COM3 : RJ-48 for VFD, RS-232, Pin10 w/RI/5V/12V Selectable by BIOS		VESA Mounting		100 x 100mm
		COM4 : DB-9, RS-232, Pin9 w/RI/5V/12V Selectable by BIOS (Standard)			Operating Temperature	0°C ~ 40°C, 10% ~ 90% RH, non-condensing
	PS/2 Port	1 x PS/2 connector for Keyboard	Storage Temperature	-20°C ~ 60°C, 10% ~ 90% RH, non-condensing		
	LPT Port	1 x DB-25 Printer Port(optional)				
	VGA Port	1 x DB-15 VGA Port (optional)				

* The right has been reserved to change the specification without prior notice.

Kennmex

www.kennmex.com



○ Kennmex Electronic GmbH

Zimmersmühlenweg 40,
D-61440 Oberursel
Germany

Tel: +49-6171-6368-0
Fax: +49-6171-6368-25
E-mail: info@kennmex.com
www.kennmex.com

